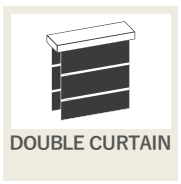
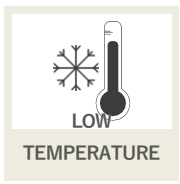
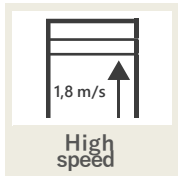
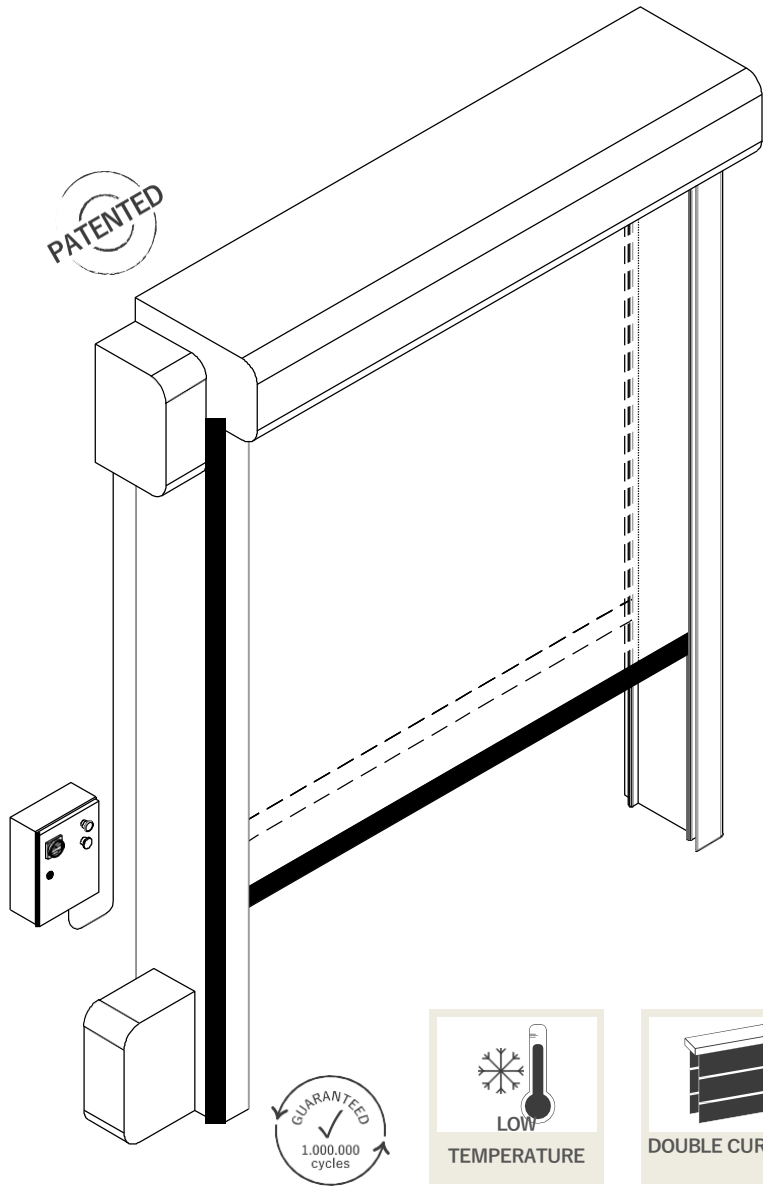


CRYSTAL COLD STORE 2



DESCRIPTION

Crystal Cold Store 2 DOOR is a self-repairing roll up door equipped of 2 curtains without any rigid elements inside, divided by 200mm and in closed position make air space insulated.

This technology makes the door ideal to reach the refrigeration field needs, where it's often needed to separate environments with positive temperature and negative one, avoiding the condensation and icing, situation dangerous for workers and for proper operation of door itself.

Crystal Cold Store 2 DOOR can be installed both in positive and negative temperature and it's a guaranteed of safety for workers and means, thanks to its curtains without any horizontal rigid elements and to the special sliding system let the curtains in case of any crash, during the operation of the door, go out and being reinserted after one cycle.

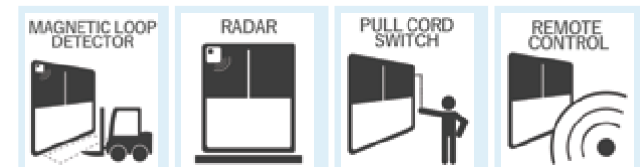
ADVANTAGES

- ✓ Self-repairing
- ✓ Rapid
- ✓ Sealing
- ✓ Noiseless
- ✓ No rigid elements inside the curtain for 100% safety
- ✓ Plug & play (easy to install)
- ✓ Low maintenance
- ✓ Energy savings
- ✓ Allow the traffic flows in safety between areas of high temperature gap
- ✓ Double PVC curtains (airspace between 200 mm)

APPLICATION

Double curtains door ideal solution for:

- ✓ Refrigeration industry
- ✓ Ideal to manage high temperatures difference even without a humidity controlled system



EN13241/CE

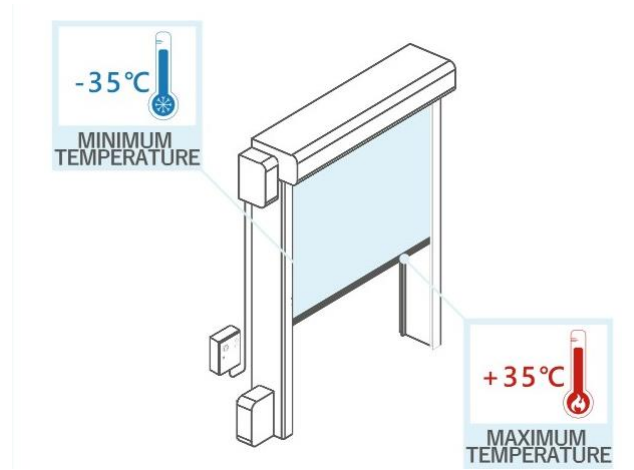
Standard	Ref.	Test acc.	Results
Water permeability	EN 12425	EN 12489	Class 1
Wind load	EN 12424	EN 12444	Class 2
Wind permeability	EN 12426	EN 12427	Class 1
Safe openings	EN 12453	EN 12445	✓
Mechanical resistance	EN 12604	EN 12605	✓
Unintended movements	EN 12604	EN 12605	✓
Thermal transmittance	EN 12428	EN 12428	2,0 W/m ² K
Performance (cycles)	EN 12604	EN 12605	1.000.000

VALUES CAN CHANGE DEPENDING ON DOOR DIMENSIONS

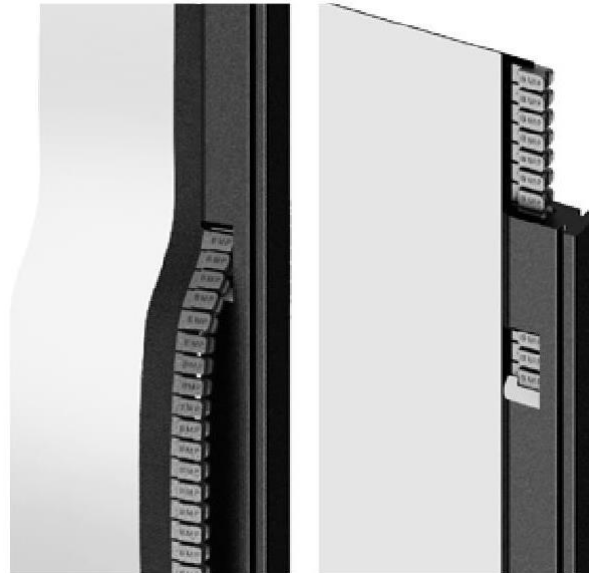
FEATURES

Maximum dimensions	W 6000 mm x H 7000 mm
Speed	Max opening speed up to 1,8 m/s
	Closing speed 0,8 m/s
Wind resistance	Class 2
Structure	Not self-supporting
Frame / motor cover hood	Standard: Galvanized Steel Powder coated Steel
	Optional: Stainless Steel 304/316
Curtain	Standard: PVC curtain 900 gr/m ²
Sliding system	Patented sliding system with high density Polyethylene self-lubricant equipped of sliding zipper directly on curtain.
Control panel	Power supply 3-ph, 230 V
	Power supply 3-ph + N 380 V
Wiring	Inverter system 50/60 Hz with absolute encoder
	IP rating for motor and control panel IP54
Safety	Standard: Photocells set IP65 Anti-jam sensor reverse WiFi safety edge IP65
	Optional: Multi ray light curtain barrier H2500 IP67
Emergency opening	Standard: Hand crank
	Optional: Chain system UPS Battery
Heating kit	A: Heater on electrical components and mechanical, heating cable 30W per linear meter
	B: Heater in air space with warm air blower 2,35 KW max.
Cycles (EN12604)	1.000.000 (tested)

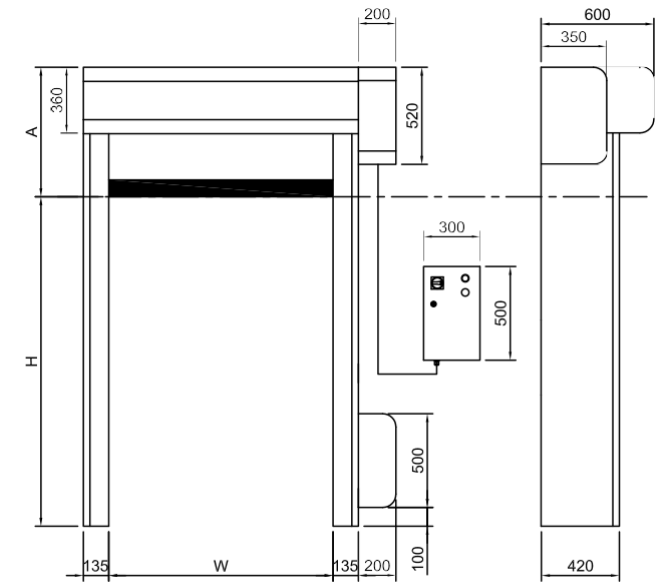
Advising OPERATIVE TEMPERATURE



SLIDING SYSTEM / SELF-REPAIRING

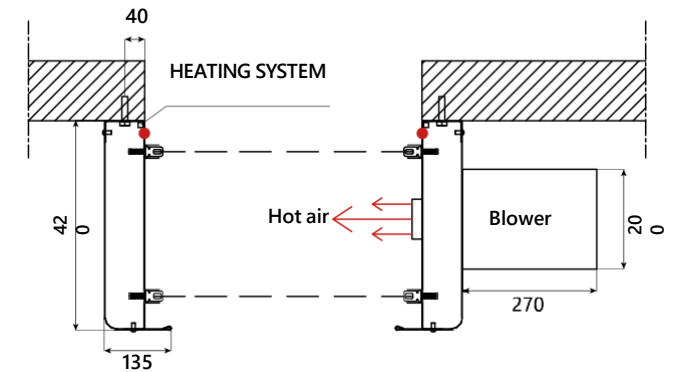


DOOR SPACE REQUIREMENTS



A: 1000

FIXING DETAILS



Available Colours

Simil RAL 9010

Simil RAL 1015	Simil RAL 3002	Simil RAL 9006	Simil RAL 7035	Simil RAL 5010
Simil RAL 1003	Simil RAL 8014	Simil RAL 7042	Simil RAL 6018	Simil RAL 5002
Simil RAL 2004	Simil RAL 9005	Simil RAL 7037	Simil RAL 6026	Simil RAL 5012